

**SONY**

**KDL-19M4000**

# Quick Setup Guide

For further information, see the Operating Instruction Manual supplied with the TV. Please retain this guide for your future reference.

Upgrade your signal to high-definition programming to view the same picture quality at home as you've seen in the store. Contact your cable or satellite provider for upgrading to high-definition TV for stunning detail and richer sound.

### For Your Convenience

Please contact Sony directly if you have questions on the use of your television after reading your Quick Setup Guide and Operating Instruction Manual.

Contact Sony Customer Support at:

<http://www.sony.com/tvsupport>

Or to speak with a support representative:

**United States**  
1-800-222-SONY (7669)

**Canada**  
1-877-899-SONY (7669)

**Please Do Not Return the Product to the Store**

©2008 Sony Corporation Printed in China

## Making Audio/Video Connections

Your new TV includes various types of video inputs and two types of audio jacks; RCA type and digital audio (optical). Use the outputs/inputs that are available on your components that provide the best audio/video performances:

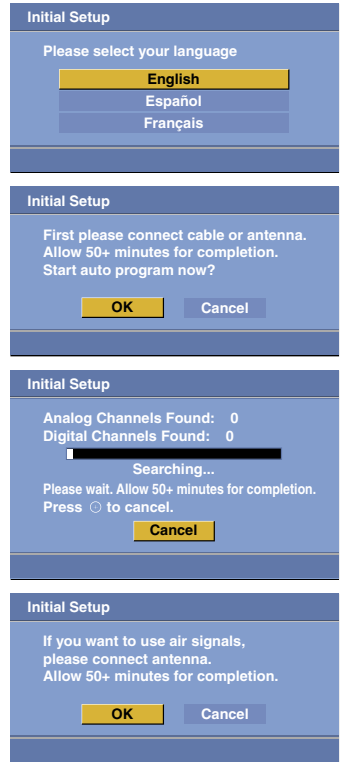
Connector type	Best Audio/Video Performance	Connector type
Digital Audio Out (Optical)	↑	HDMI (High-Definition Multimedia Interface)
Analog Audio		Component video
		S VIDEO
		Composite video

The connection diagrams shown below and on the reverse side are recommendations only; other possible solutions may exist. Connections that include an AV receiver can often be complex, so check your AV receiver's instruction manual for additional details.

See the "Cables Required" chart that appears with the diagram to determine which cables you'll need. Depending on the components you plan to connect, you may need to purchase extra cables.

## Running Initial Setup

- Select the language for the OSD (on screen display).
- Connect either cable or antenna to your TV (you can connect both using an A-B RF switch). If you connect cable, the TV will scan cable channels. After this scanning, you can search antenna channels as well.
  - If you have cable and antenna connection available, please connect cable first.
  - If you are not using the VHF/UHF CABLE connection to TV, you can cancel the **Auto Program** by selecting **Cancel**.
- Your TV will detect the type of signal connected and will start scanning for the channels.
- If the **Initial Setup** programming found cable channels, you will be able to scan antenna channels as well. Connect the antenna (using an A-B RF switch, not supplied) and change the switch to antenna, then start **Auto Program** to search antenna channels.



## A

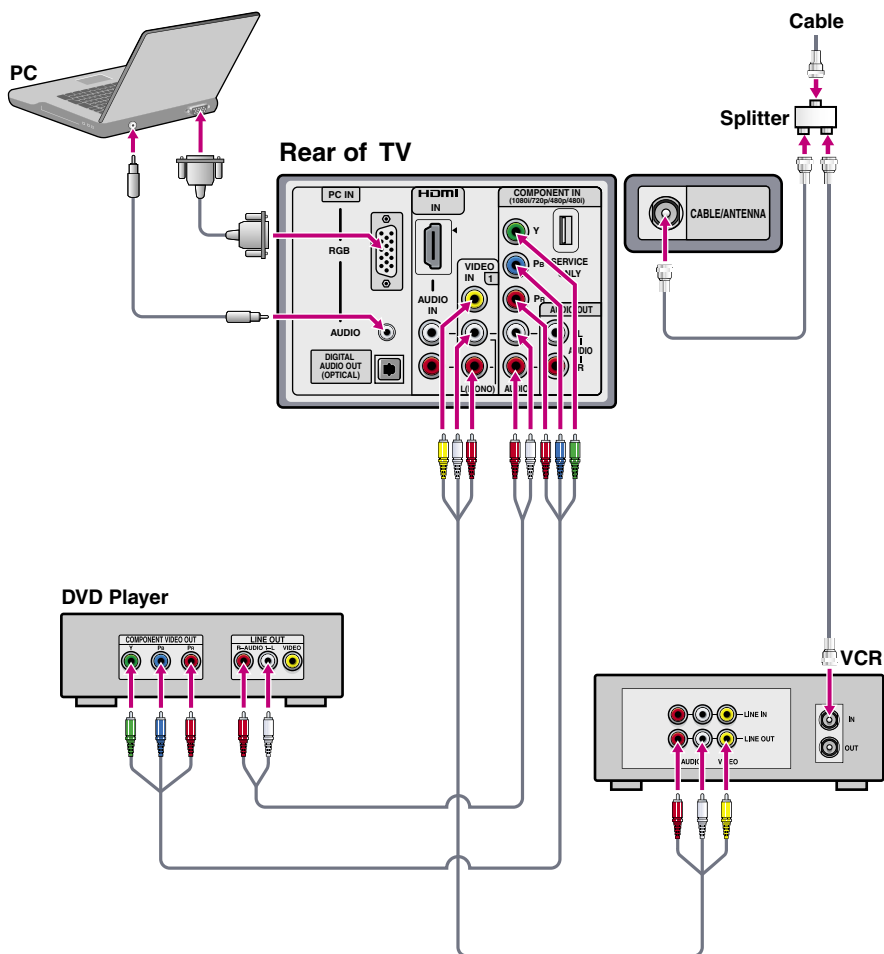
Use this diagram if you have;



### Cables Required

Splitter	1
Coaxial	3
Composite	1
Component	1
Audio	2
HD15-HD15	1

If your DVD player has an HDMI jack, use that instead of the video connections shown here.



## B

Use this diagram if you have;

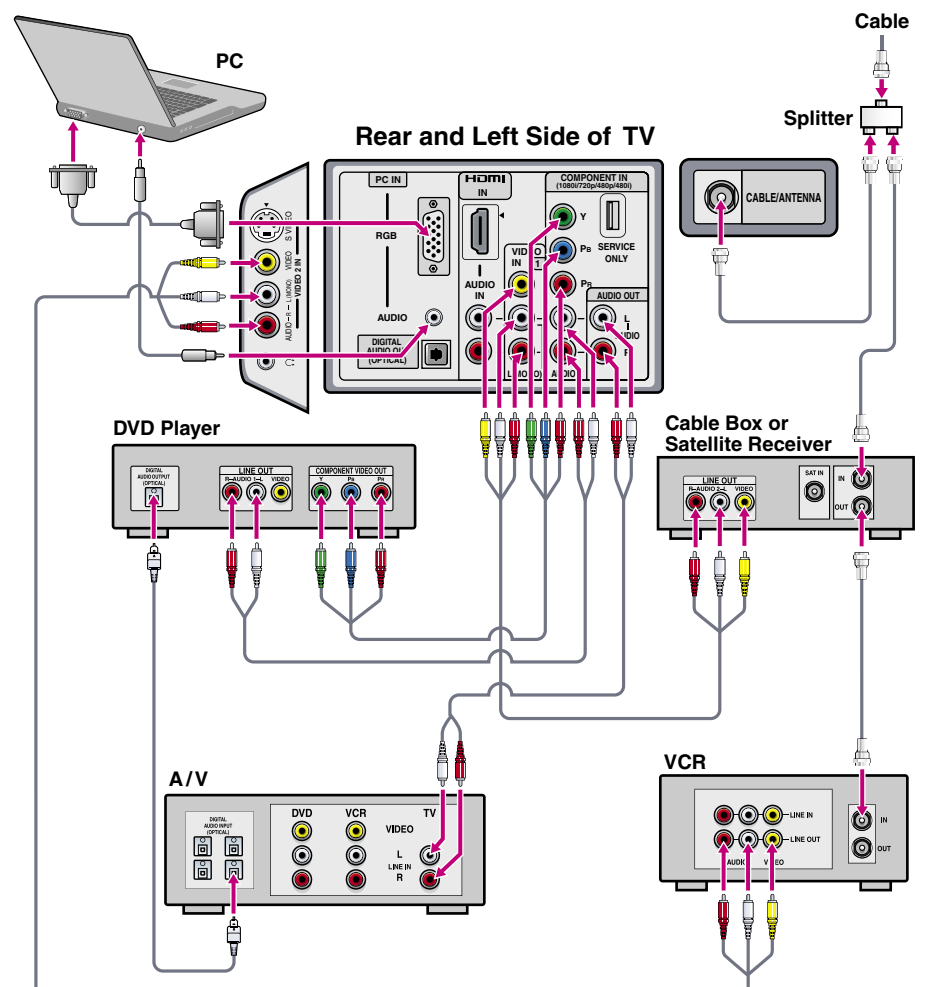


### Cables Required

Splitter	1
Coaxial	4
Composite	2
Component	1
Audio	3
HD15-HD15	1
Optical Audio	1

If your DVD player or satellite receiver has an HDMI jack, use that instead of the video connections shown here.

If you are not using a cable box or satellite receiver, connect your cable to the VCR's RF IN jack.



Continued →

# C

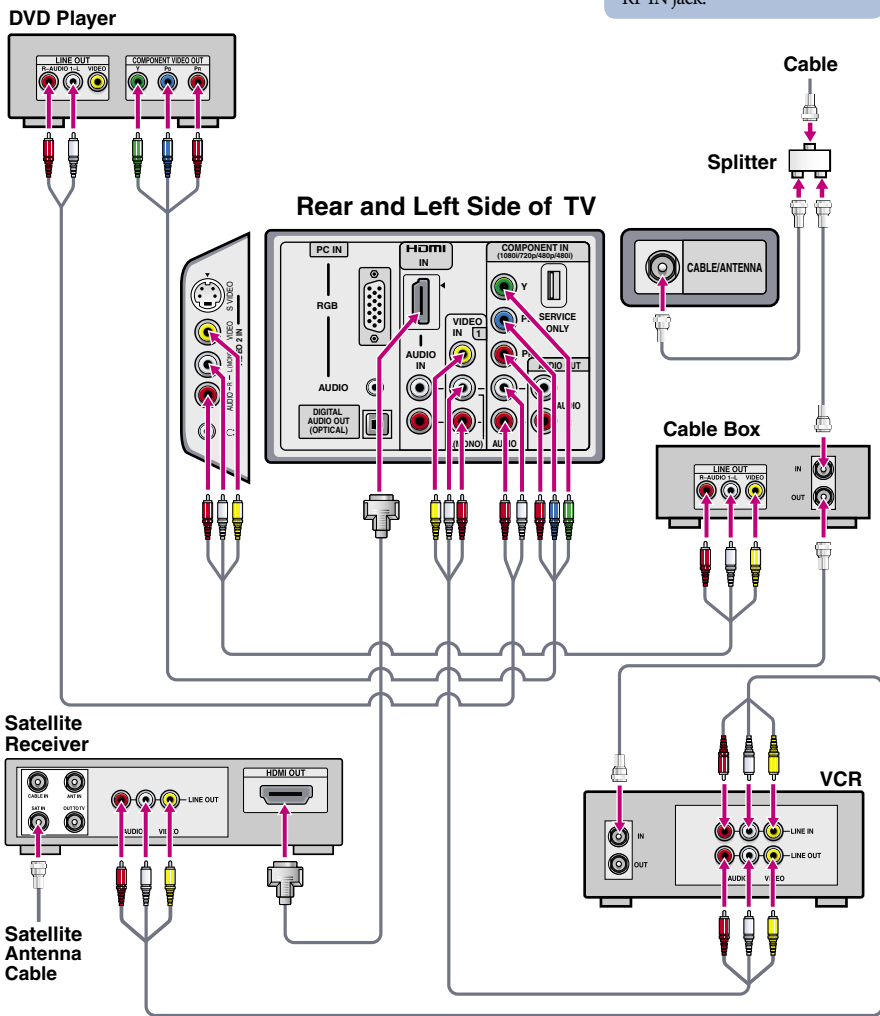
Use this diagram if you have; Cable/Antenna

Cable Box VCR DVD Player Satellite Receiver

Cables Required	
Splitter	1
Coaxial	5
Composite	3
Component	1
Audio	1
HDMI	1

If your DVD player or satellite receiver has an HDMI jack, use that instead of the component/composite video connections.

If you are not using a cable box, connect your cable to the VCR's RF IN jack.



# D

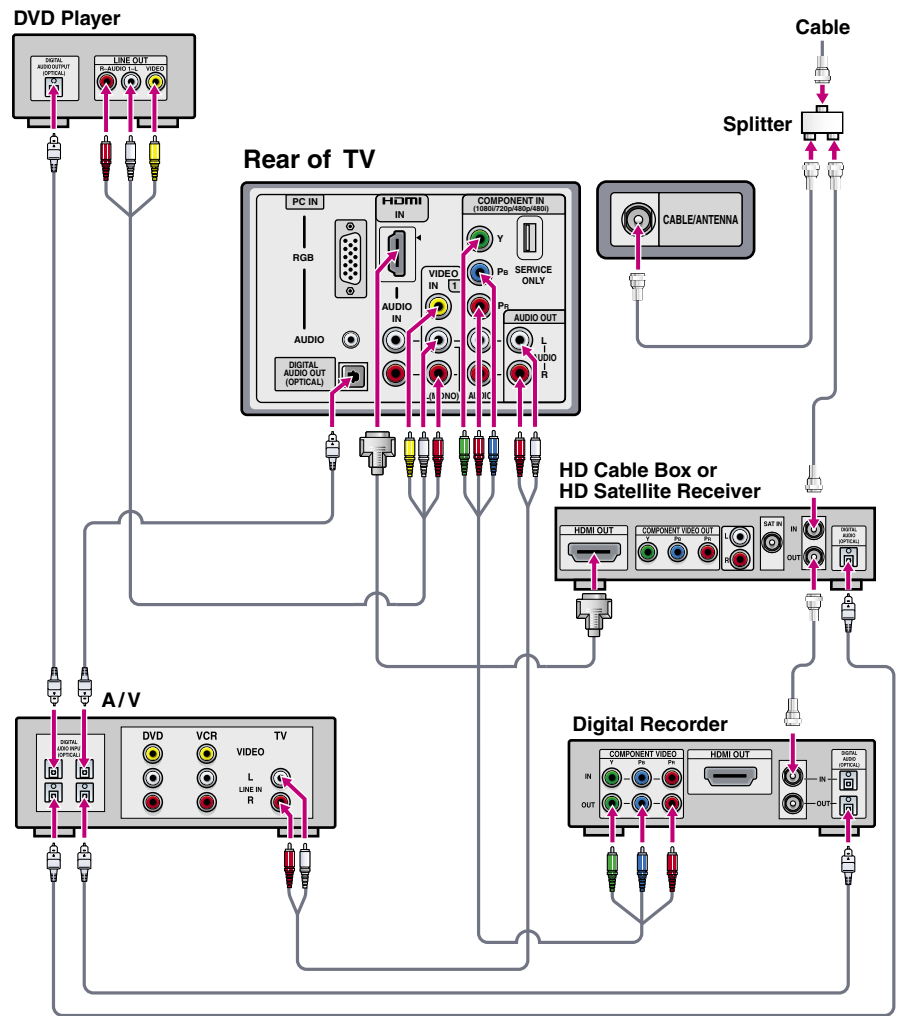
Use this diagram if you have; Cable/Antenna

HD Cable Box DVD Player AV Receiver Digital Recorder

or

HD Sat Receiver

Cables Required	
Splitter	1
Coaxial	4
Composite	1
Component	1
Audio	1
HDMI	1
Optical Audio	4



# E

Use this diagram if you have;

Cable/Antenna HD Cable Box VCR DVD Player

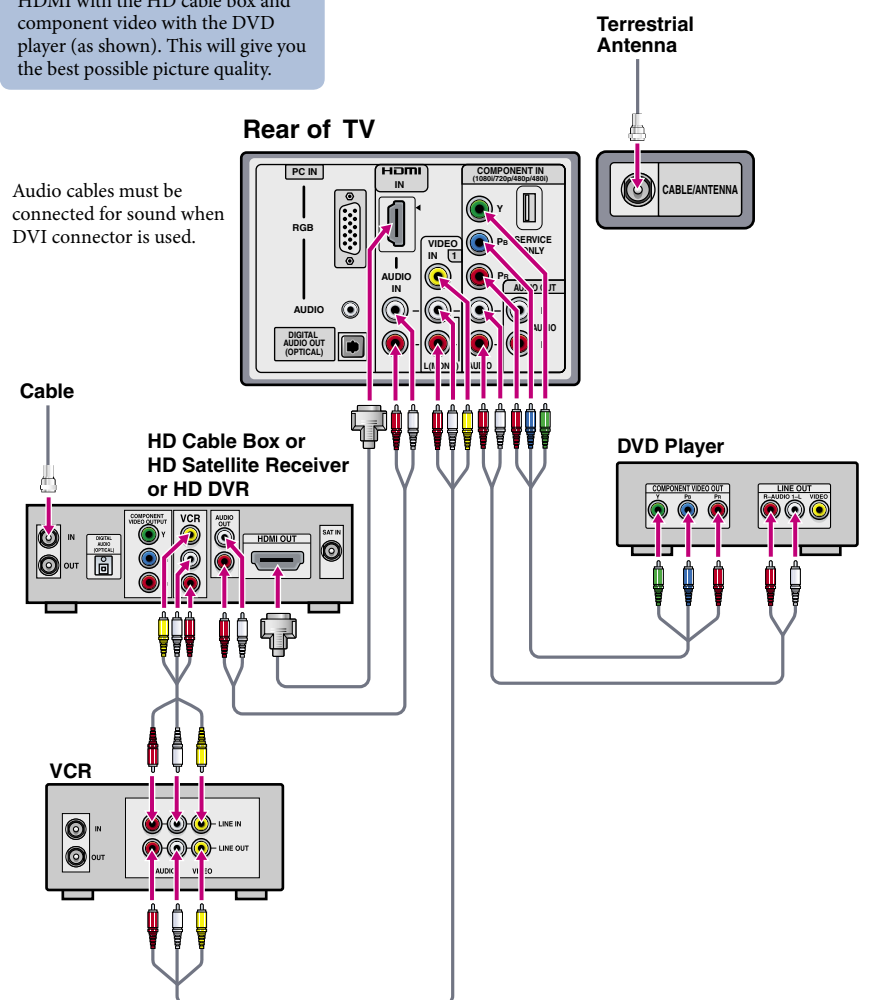
or

HD Sat Receiver or HD DVR

Cables Required	
Coaxial	2
Composite	2
Component	1
Audio	2
HDMI	1

If your HD cable box and DVD player have HDMI jacks, use HDMI with the HD cable box and component video with the DVD player (as shown). This will give you the best possible picture quality.

For best results, check the cable box's manual for proper setup of the HD output.



Audio cables must be connected for sound when DVI connector is used.

# F

Use this diagram if you have;

Cable/Antenna Cable Box VCR Sony Dream System

or

Satellite Receiver

Cables Required	
Splitter	1
Coaxial	4
Composite	2
Component	1
Optical Audio	1

If you are not using a cable box or satellite receiver, connect the cable to the VCR's RF IN jack.

