

# LAPDOG

## INSTRUCTION MANUAL

---

GAMING CONTROL CENTER

---



## Table of Contents

Introduction ..... 2

Getting to Know Your LAPDOG ..... 3

### Installing Corsair K65 Series Keyboard and Wired USB Mouse

Removing Mouse Pad and Cable Compartment Cover ..... 7

Removing Keyboard Adapter Plate ..... 8

Installing K65 Keyboard ..... 9

Connecting Keyboard and Mouse to LAPDOG ..... 9

Arranging Cables in LAPDOG ..... 10

Reattaching Keyboard Adapter Plate ..... 10

Reattaching Cable Compartment Cover ..... 11

Reattaching Mouse Pad ..... 12

### Installing Corsair K70 Series Keyboard and Wired USB Mouse

Removing Mouse Pad and Cable Compartment Cover ..... 13

Removing Keyboard Adapter Plate ..... 14

Installing K70 Keyboard ..... 15

Connecting Keyboard to LAPDOG ..... 15

Arranging Cables in LAPDOG ..... 16

Reattaching Cable Compartment Cover ..... 17

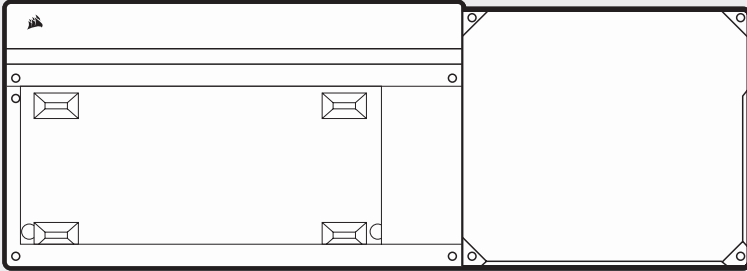
Reattaching Mouse Pad ..... 18

Connecting Your LAPDOG to the PC ..... 19

Using Other USB Peripherals and Devices with LAPDOG ..... 22

Using LAPDOG for Fast-Charging Your Cell Phone ..... 22

**Thank You for Purchasing the Corsair LAPDOG!**



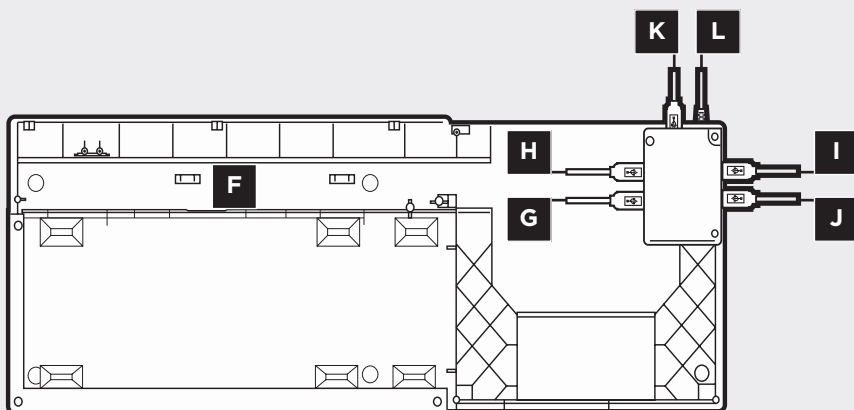
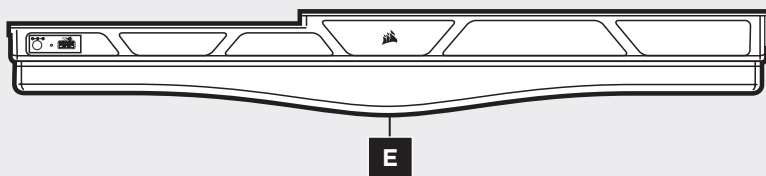
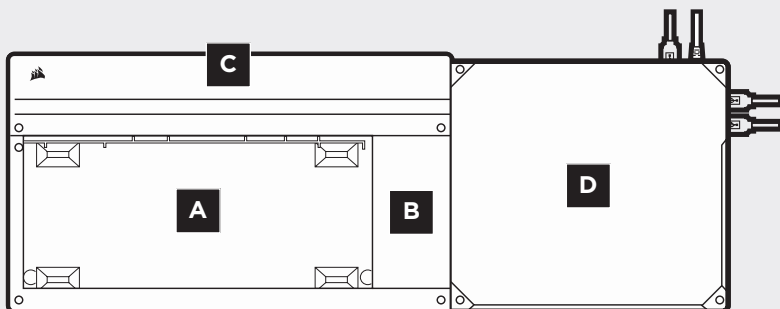
LAPDOG is an ultimate gaming control center that revolutionizes PC gaming in the living room. We designed it specifically to allow you to play PC games comfortably on your living room couch using any Corsair K65 or K70 series keyboard and a wired USB mouse.

Its large and integrated 11" x 11" performance mouse pad guarantees unrestrained control and precision for your mouse movements. LAPDOG is very comfortable on your lap thanks to the underside memory foam lap cushion, which is removable when needed.

LAPDOG also features a built-in powered USB 3.0 hub with additional ports for any USB headset, game controllers, flash drives and supports USB fast-charging.



# LAPDOG

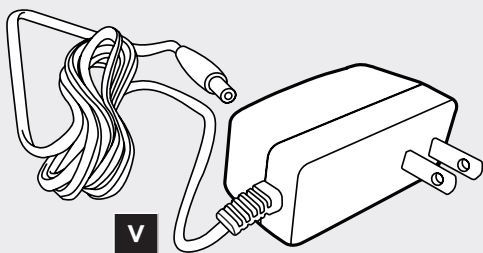
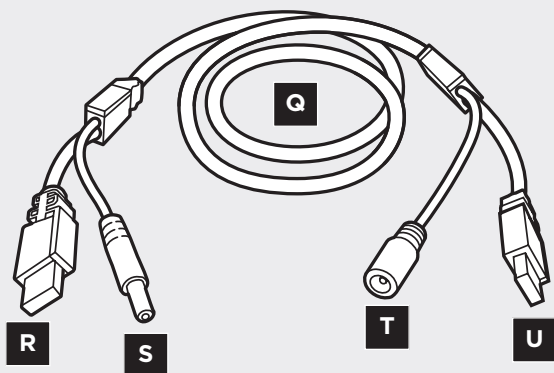
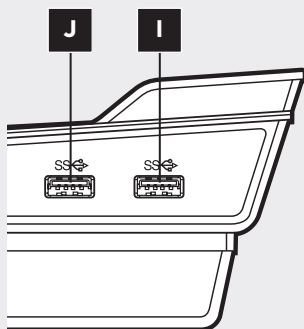
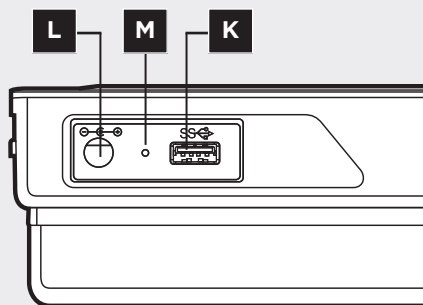


**Getting to Know Your LAPDOG**

- A** Keyboard tray (Corsair K70 or K65 series)
- B** Corsair K65 keyboard adapter plate
- C** Cable compartment cover
- D** Mouse pad plate
- E** Memory foam pad
- F** Cable compartment
- G** USB 3.0 port #1 (internal)
- H** USB 3.0 port #2 (internal)
- I** USB 3.0 port #3 (external)
- J** USB 3.0 port #4 (external)
- K** USB 3.0 host connection port (PC)
- L** 12V DC IN power port



# LAPDOG

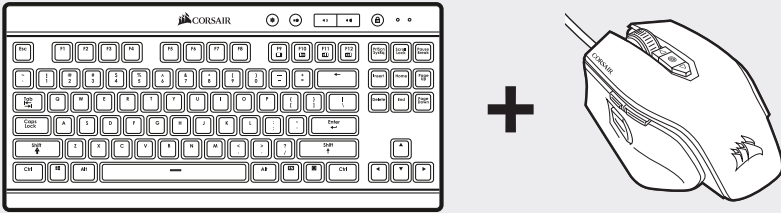


**Getting to Know Your LAPDOG (continued)**

- M** 12V DC IN power LED indicator
- N** Allen screws x15
- O** Allen key x1
- P** Zip tie x2
- Q** Connection cable (16ft)
- R** USB 3.0 Type A plug
- S** 12V DC IN power jack
- T** 12V DC IN port
- U** USB 3.0 Type A plug
- V** 12V USB wall charger

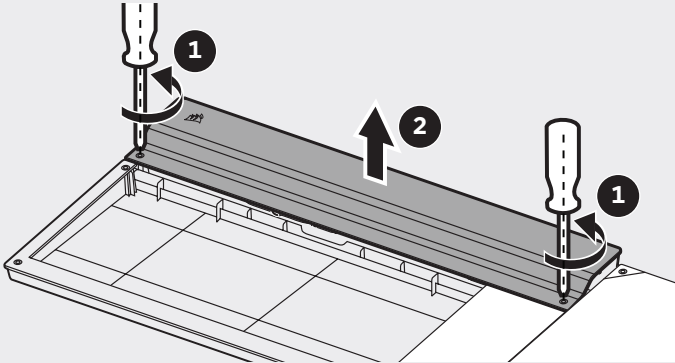


## Installing Corsair K65 Series Keyboard and Wired USB Mouse

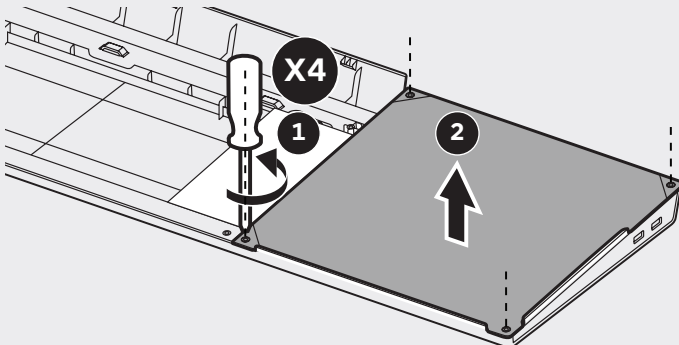


## Removing Mouse Pad Plate and Cable Compartment Cover

1. Unscrew and detach cable compartment cover (C).



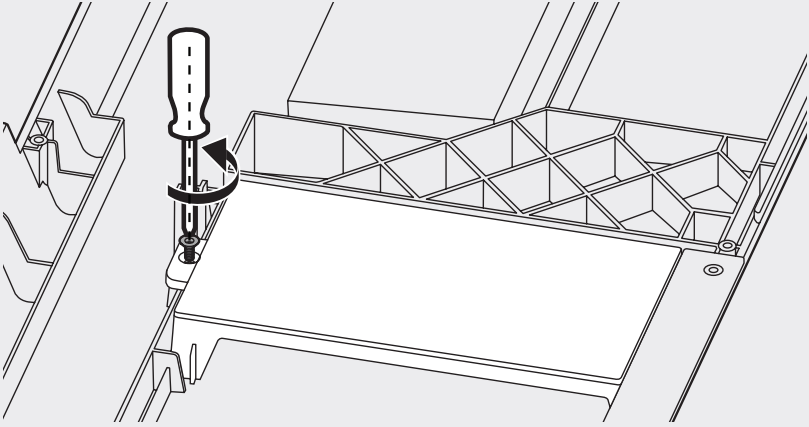
2. Unscrew and detach mouse pad plate (D).



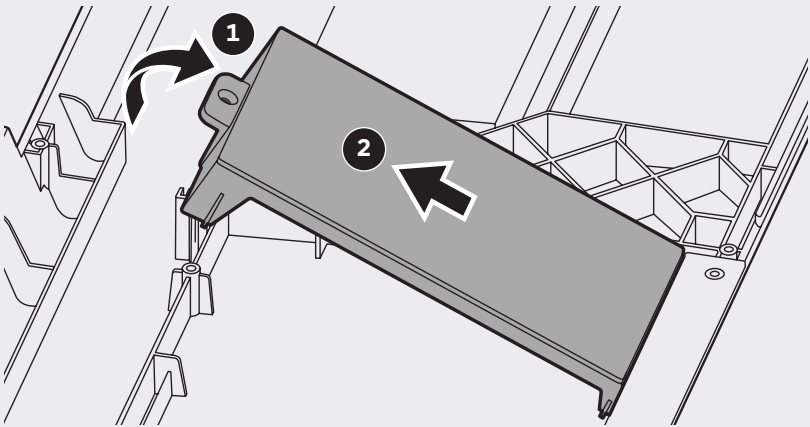


## Removing Keyboard Adapter Plate

1. Unscrew and detach the K65 keyboard adapter plate (B).



2. Slide the adapter plate (B) upwards.

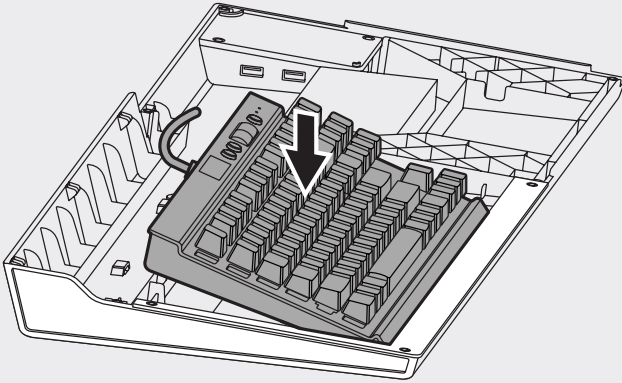




# LAPDOG

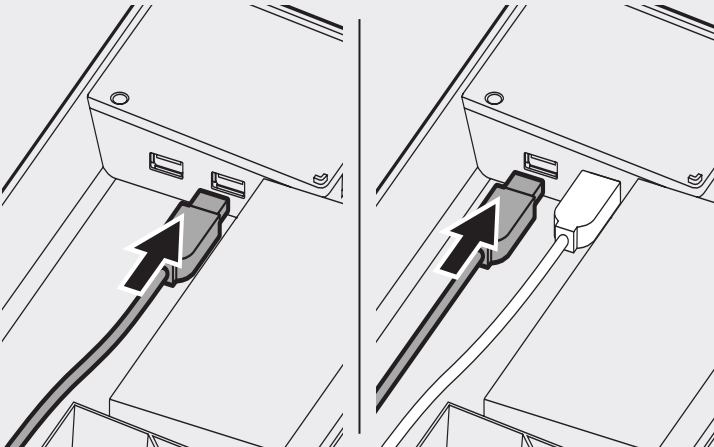
## Installing K65 Keyboard

Slide keyboard in the keyboard tray (A), front edge first, at approx. 45 degree angle. Once the front edge is placed securely underneath the bottom lip, lay the rest of the keyboard flat in the tray.



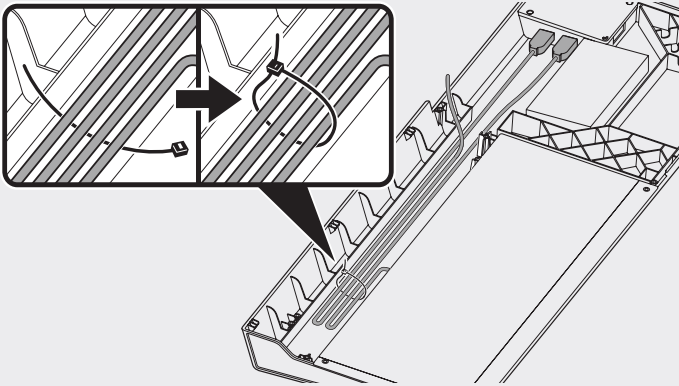
## Connecting Keyboard and Mouse to LAPDOG

Connect the keyboard's USB cable connector with keyboard icon on it into internal USB 3.0 port (G/H). Connect your USB wired mouse cable connector to the other internal USB 3.0 port (G/H).



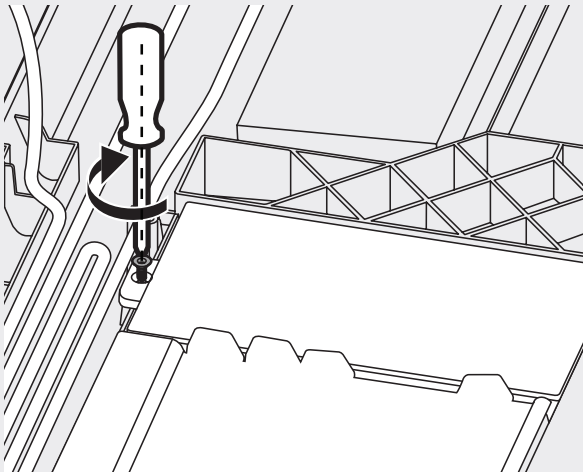
### Arranging Cables in LAPDOG

Arrange the keyboard and mouse cables with the provided space inside the compartment (F). Use the supplied cable zip ties (P) to secure the bundle to both plastic loops protruding from the bottom of the cable compartment (F).



### Reattaching Keyboard Adapter Plate

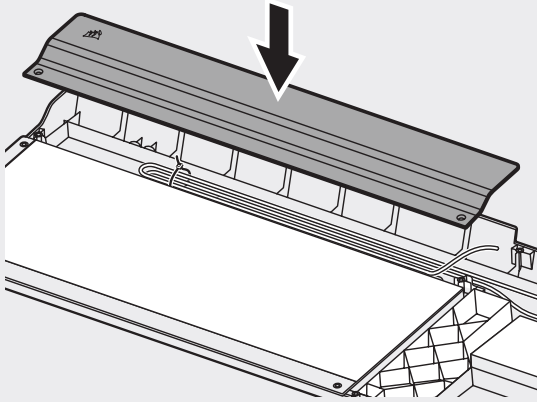
Reattach and secure the K65 keyboard adapter plate (B) with one allen screw (N) using provided allen key (O).



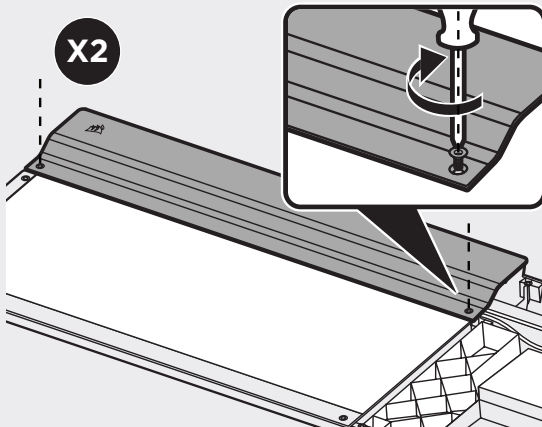


## Reattaching Cable Compartment Cover

1. Close the cable compartment cover (C).

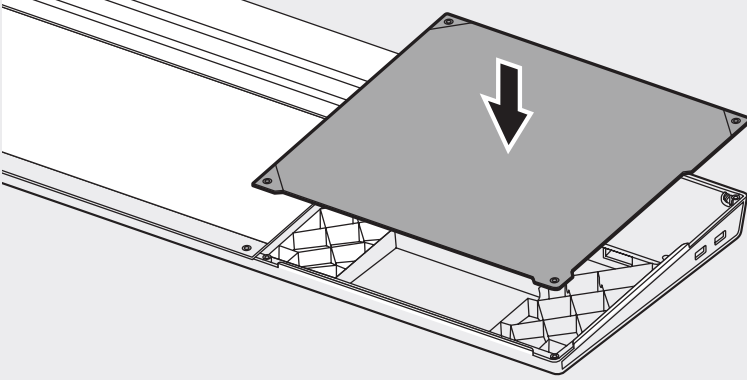


2. Secure cable compartment cover (C) with two allen screws (N) using the provided allen key (O).

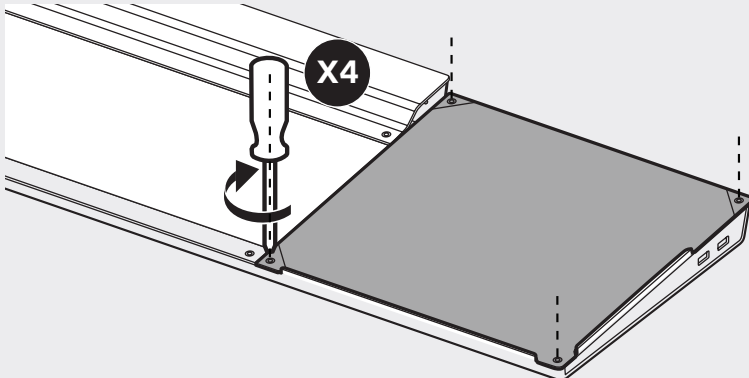


## Reattaching Mouse Pad Plate

1. Reattach mouse pad plate (D).

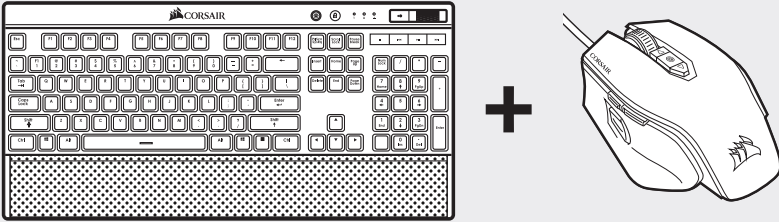


2. Secure mouse pad plate (D) with four allen screws (N) using the provided allen key (O).



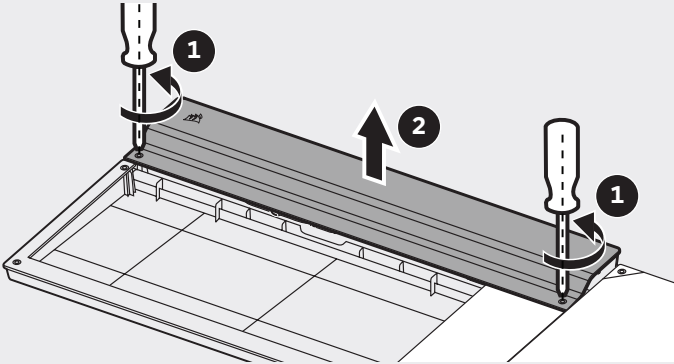


## Installing Corsair K70 Series Keyboard and Wired USB Mouse

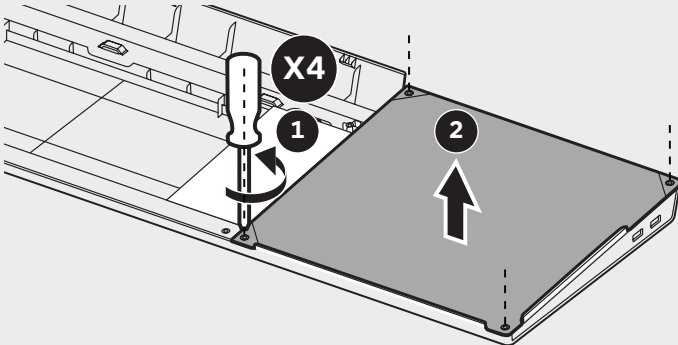


## Removing Mouse Pad and Cable Compartment Cover

1. Unscrew and detach cable compartment cover (C).

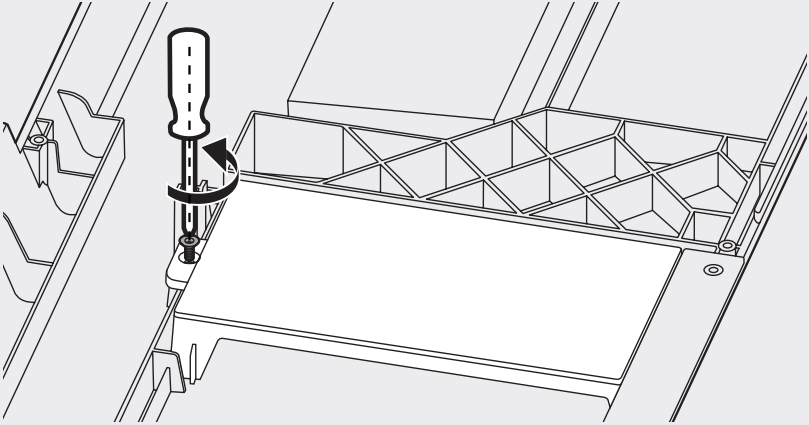


2. Unscrew and detach mouse pad plate (D).

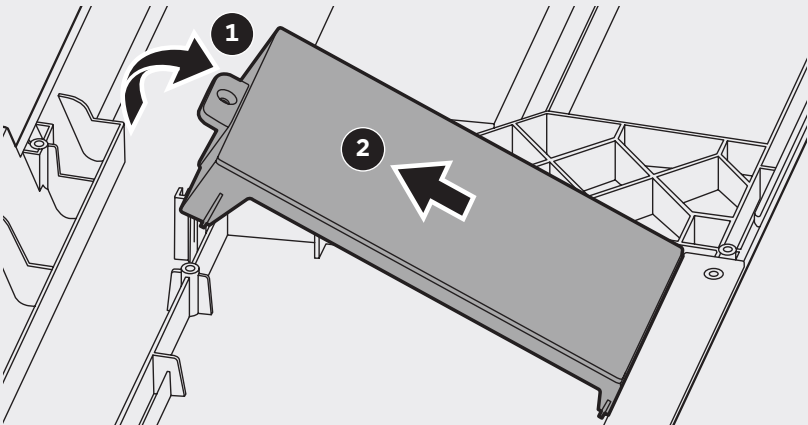


## Removing Keyboard Adapter Plate

1. Unscrew and detach the K65 keyboard adapter plate (B).



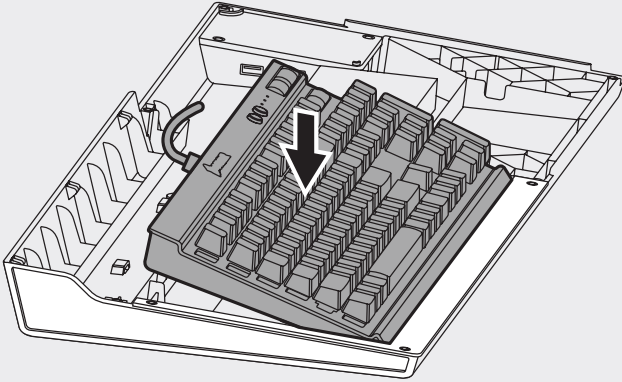
2. Slide the adapter plate (B) upwards.





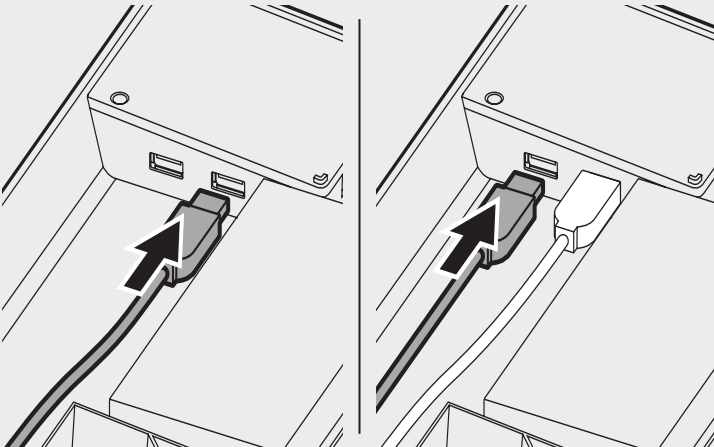
## Installing K70 Keyboard

Slide keyboard in the keyboard tray (A), front edge first, at approx. 45 degree angle. Once the front edge is placed securely underneath the bottom lip, lay the rest of the keyboard flat in the tray.



## Connecting Keyboard and Mouse to LAPDOG

Connect the keyboard's USB cable connector with keyboard icon on it into internal USB 3.0 port (G/H). Connect your USB wired mouse cable connector to the other internal USB 3.0 port (G/H).

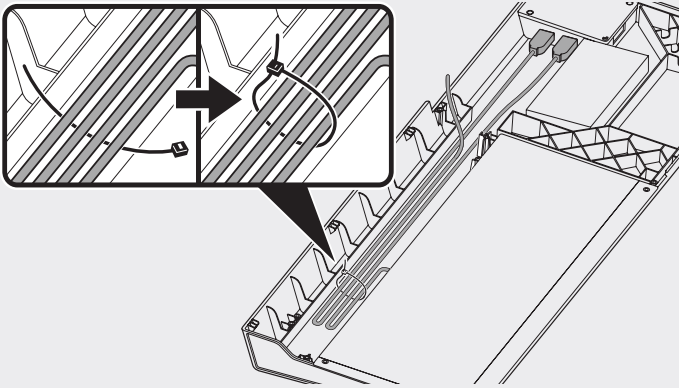




## Arranging Cables in LAPDOG

Arrange the keyboard and mouse cables with the provided space inside the compartment (F).

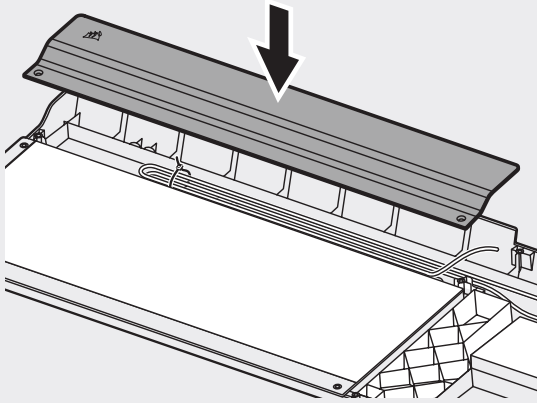
Use the supplied cable zip ties (P) to secure the bundle to both plastic loops protruding from the bottom of the cable compartment.



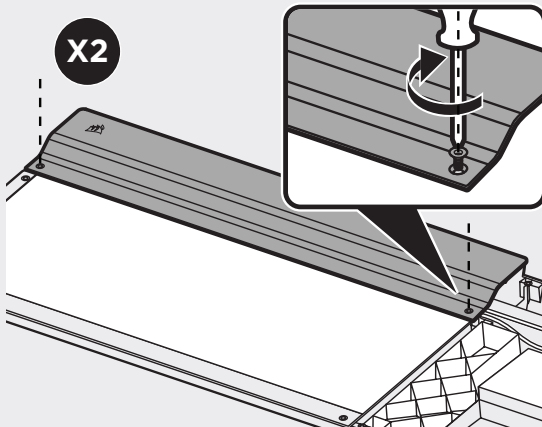


## Reattaching Cable Compartment Cover

1. Close the cable compartment cover (C).

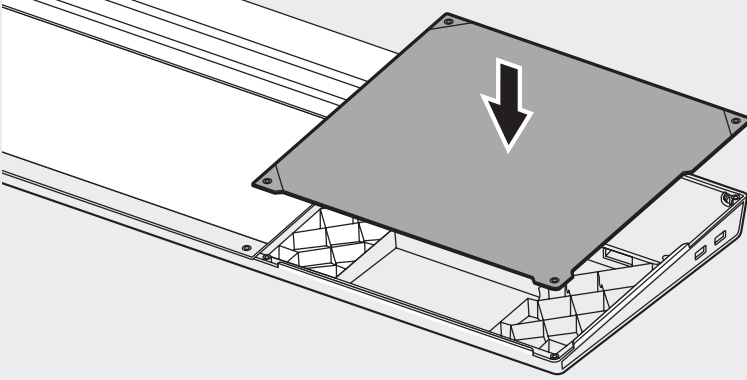


2. Secure cable compartment cover (C) with two allen screws (N) using the provided allen key (O).

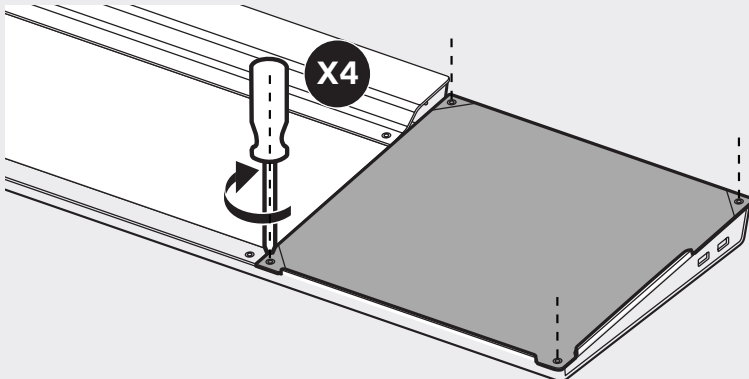


## Reattaching Mouse Pad Plate

1. Reattach mouse pad plate (D).



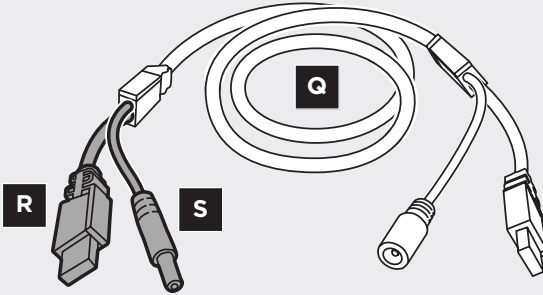
2. Secure mouse pad plate (D) with four allen screws (N) using the provided allen key (O).



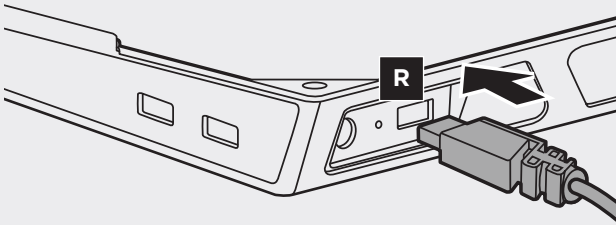


## Connecting Your LAPDOG to the PC

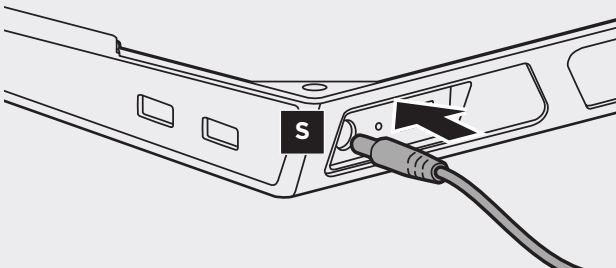
1. Locate LAPDOG end (**R+S**) of the provided 16ft cable (**Q**).



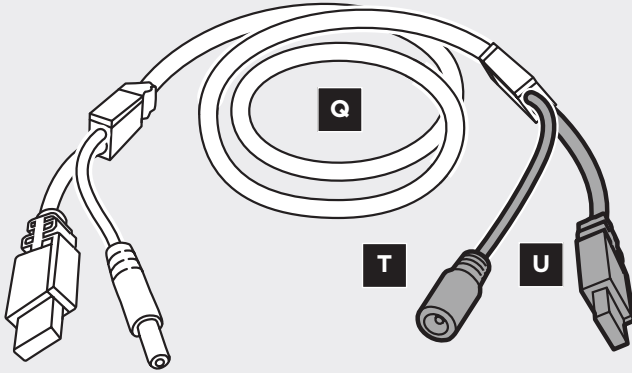
2. Connect USB 3.0 plug (**R**) to USB 3.0 host connection port (**K**) on the back of the LAPDOG.



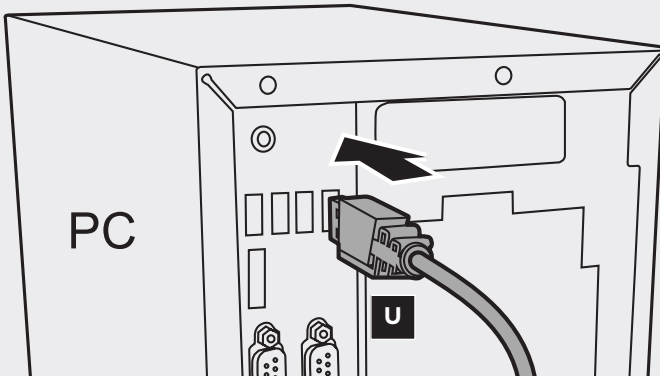
3. Connect 12V DC IN power jack (**S**) to 12V DC IN power port (**L**) on the back of the LAPDOG.



4. On the other end of cable **(Q)**, locate another Y-split section with USB 3.0 Type A plug **(U)** and 12V DC IN port **(T)**.



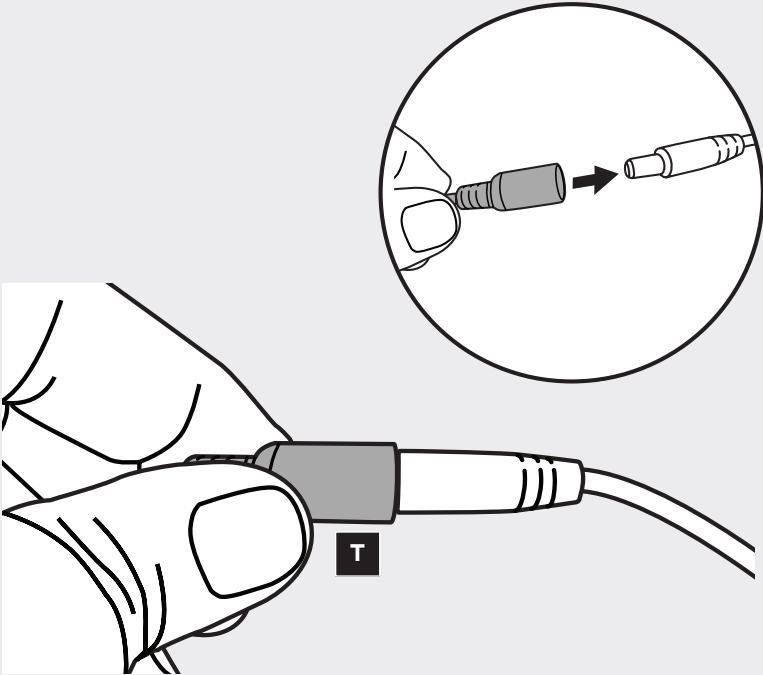
5. Connect USB 3.0 plug **(U)** to any available USB 3.0 port on your computer.





# LAPDOG

6. Connect supplied 12V charging cable (V) to 12V DC IN port (T) on the Y-split section.



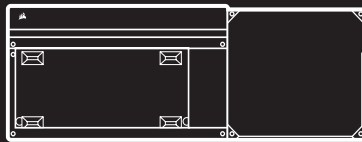
**Enjoy your new LAPDOG!**

### Using Other USB Peripherals and Devices with LAPDOG

1. LAPDOG provides two external USB 3.0 ports (**I and J**) for connecting various other USB peripherals and devices. Once they are connected to the LAPDOG, they will be recognized by the host PC as if they were directly connected to any available USB port on that host PC. This functionality is guaranteed by the means of powered USB 3.0 hub integrated into LAPDOG.
2. Please see below for the sample list of devices supported by LAPDOG, provided they are supported by the operating system on the host PC:
  - a. Wired USB mice, keyboards, headsets and game controllers
  - b. USB dongles for wireless mice, keyboards, headsets and game controllers
  - c. USB flash drives
  - d. External USB hard drives
  - e. External USB solid-state drives

### Using LAPDOG for Fast-Charging Your Cell Phone

1. Please connect charging cable included with your cell phone to designated external USB 3.0 port (**J**).
  - a. Please note: LAPDOG supports fast-charging at up to 1.5A. However factors, such device support or cable quality can affect actual charging rate.



# LAPDOG

[corsair.com](http://corsair.com)

**EMAIL:** [support@corsair.com](mailto:support@corsair.com)  
**FACEBOOK:** [facebook.com/corsair](https://facebook.com/corsair)  
**BLOG:** [blog.corsair.com](http://blog.corsair.com)



**FORUM:** [forum.corsair.com](http://forum.corsair.com)  
**TWITTER:** [twitter.com/corsair](https://twitter.com/corsair)  
**LAPDOG PAGE:** [corsair.com/lapdog](http://corsair.com/lapdog)

USA and CANADA: (800) 205-7657 | INTERNATIONAL: (510) 657-8747 | FAX: (510) 657-8748



47100 Bayside Parkway • Fremont • California • 94538 • USA

© 2015 - 2016 Corsair Components, Inc. All rights reserved. Corsair and the sails logo are registered trademarks, and Professional Series is a trademark in the United States and/or other countries. All other trademarks are the property of their respective owners. Product may vary slightly from those pictured. Document Number: 49-001473 rev AA